

## **ILLUSTRATED PARTS BREAKDOWN**

**PARTNER**

**5.5 HP 17" REAR TINE TILLER**

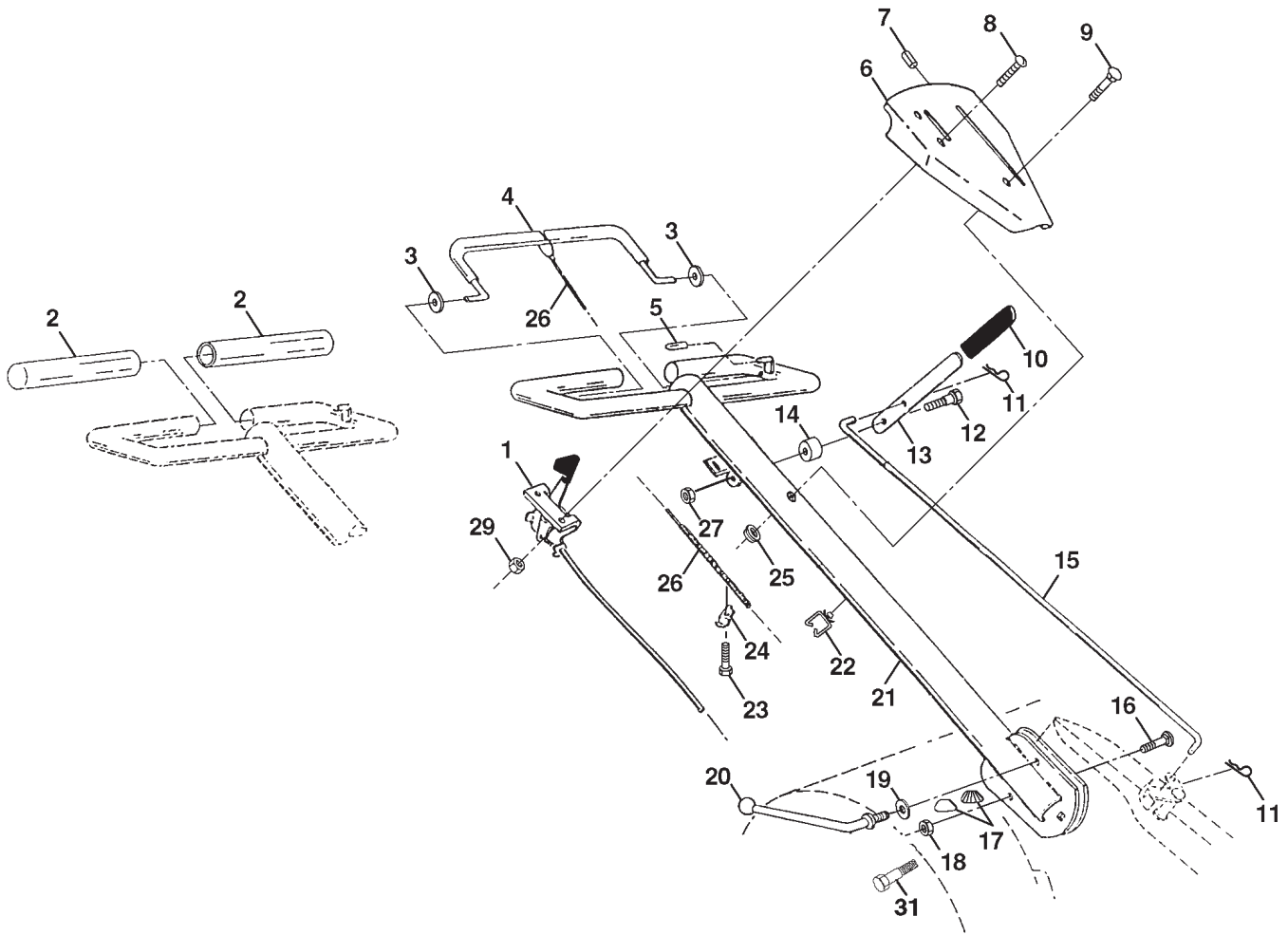
**MODEL NO. 511 (PRT5N)**

**954 00 13-81**

# REPAIR PARTS

TILLER - MODEL NO. 511 (PRT5N), PRODUCT NO. 954 00 13-81

## HANDLES



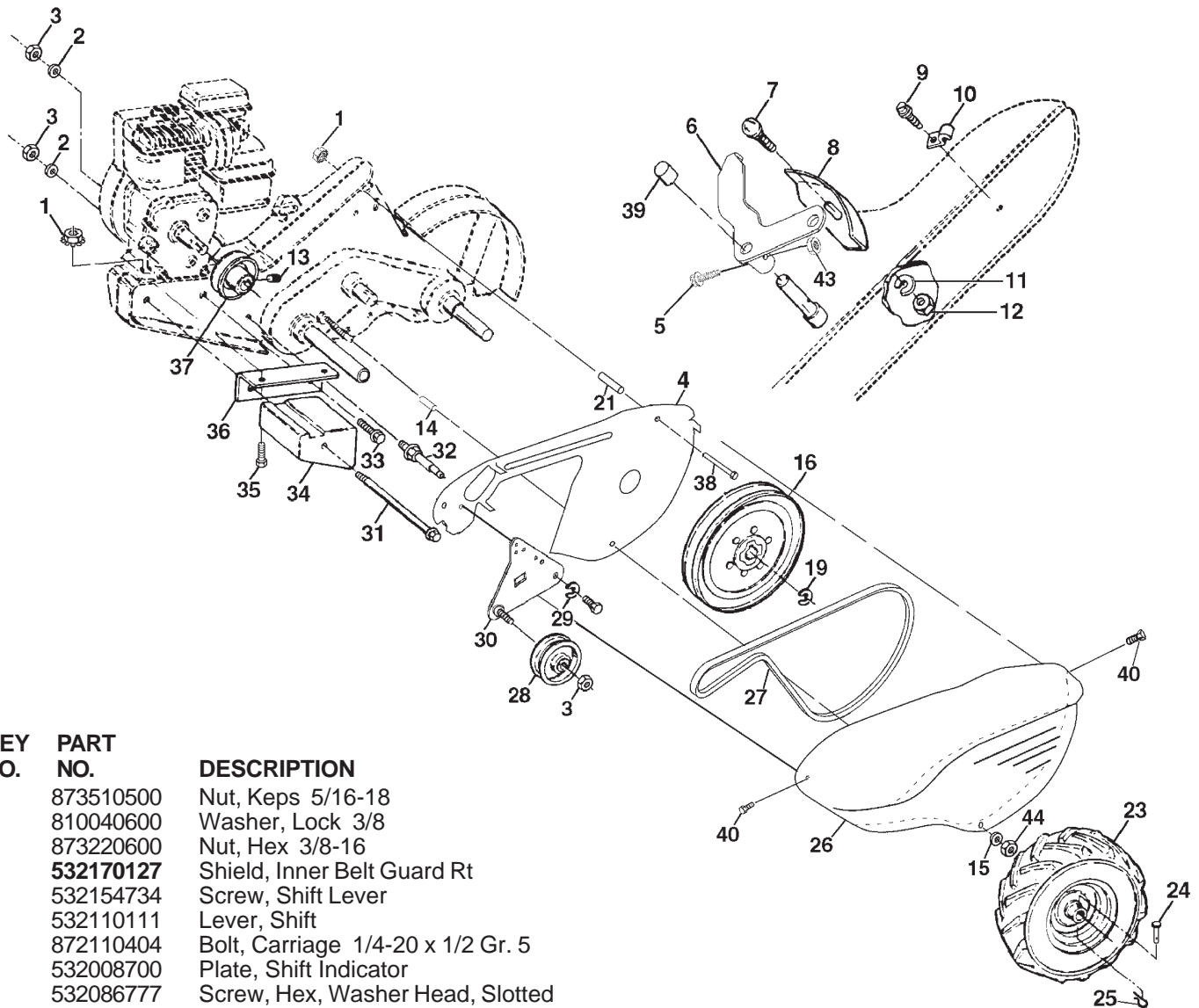
KEY NO.	PART NO.	DESCRIPTION
1	532127012	Throttle, Control
2	532141406	Grip, Handle
3	532110673	Grommet, Handle
4	532127254	Bar, Drive Control Assembly
5	532124717	Cap, Vinyl
6	532137119	Panel, Control
7	532110641	Bushing, Split
8	871191008	Screw, Pan Head. #10-24
9	872010520	Bolt, Carriage 5/16-18 UNC x 2-1/2 Gr. 5
10	532110646	Handle, Grip
11	532124788	Clip, Hairpin
12	532081328	Bolt, Shoulder
13	532110741	Handle, Shift
14	532109313	Grommet, Rubber
15	532110702	Rod, Shift
16	872110608	Bolt, Carriage 3/8-16 x 1 Gr. 5

KEY NO.	PART NO.	DESCRIPTION
17	532109229	Lock, Handle
18	<b>873680600</b>	Nut, Centerlock 3/8-16
19	819131611	Washer 13/32 x 1 x 11 Ga.
20	532109228	Lever, Lock, Handle
21	532150258	Handle, Assemble
22	532165197	Clip, Cable
23	532086777	Screw, Hex, Washer Hd, Slotted #10-24 x 1/2
24	532009484	Clip
25	873970500	Locknut, Hex, Flange
26	532110675	Clutch, Cable
27	<b>873900400</b>	Nut, Hex 1/4-20
29	873731000	Nut, Keps #10-24
31	532150696	Bolt, Pivot

**NOTE:** All component dimensions given in U.S. inches.  
1 inch = 25.4 mm

# REPAIR PARTS

## TILLER - MODEL NO. 511 (PRT5N), PRODUCT NO. 954 00 13-81 MAINFRAME, LEFT SIDE



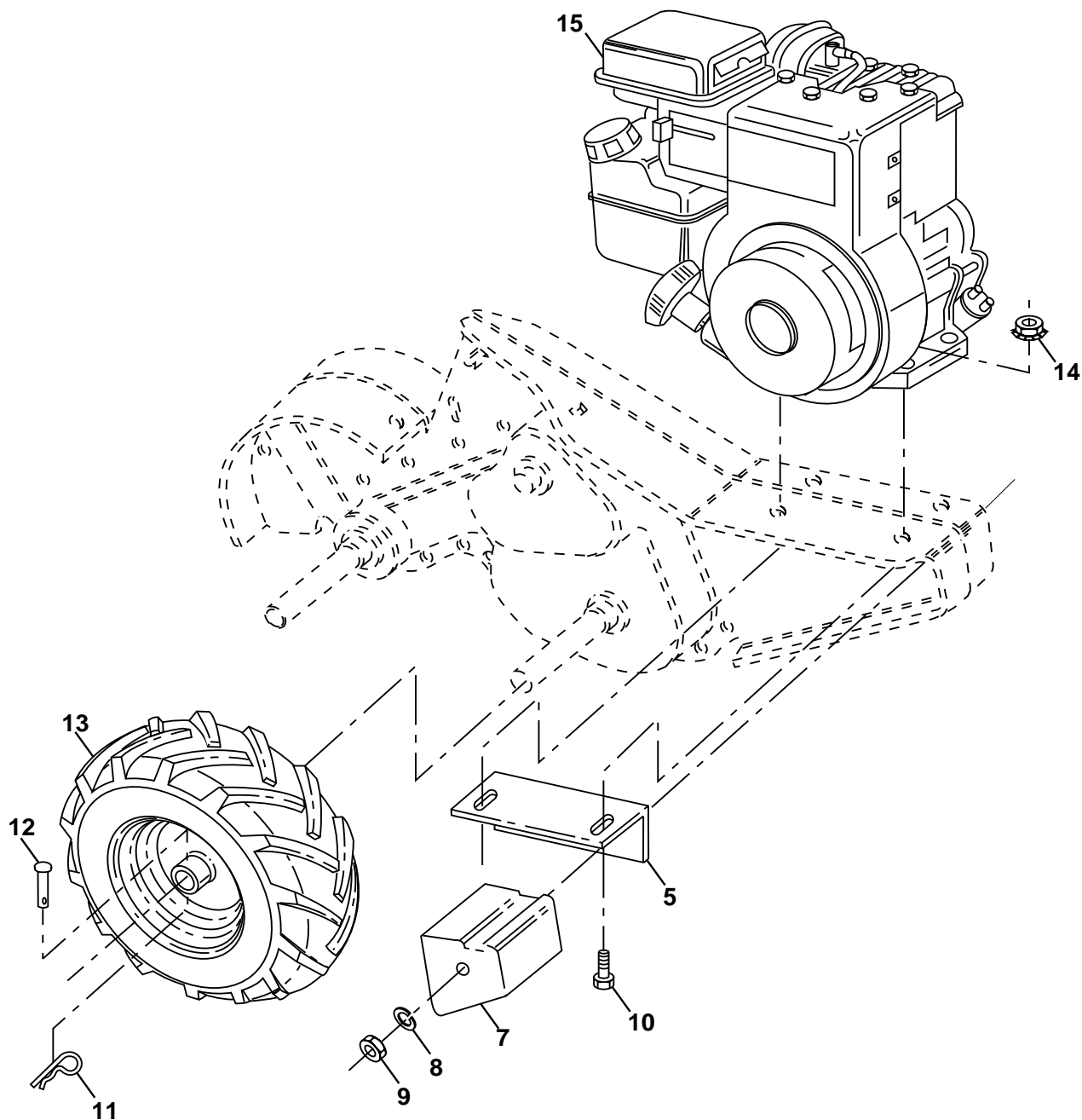
KEY NO.	PART NO.	DESCRIPTION
1	873510500	Nut, Keps 5/16-18
2	810040600	Washer, Lock 3/8
3	873220600	Nut, Hex 3/8-16
4	<b>532170127</b>	Shield, Inner Belt Guard Rt
5	532154734	Screw, Shift Lever
6	532110111	Lever, Shift
7	872110404	Bolt, Carriage 1/4-20 x 1/2 Gr. 5
8	532008700	Plate, Shift Indicator
9	532086777	Screw, Hex, Washer Head, Slotted #10-24 x 1/2
10	532009484	Clip
11	810040400	Washer, Lock 1/4
12	873220400	Nut, Hex 1/4-20
13	823230506	Screw, Set, Hex 5/16-18 x 3/8
14	532110652	Spacer, Split 0.327 x 0.42 x 2.09
15	819111116	Washer 11/32 x 11/16 x 16 Ga.
16	532145102	Sheave, Transmission
19	812000028	Ring, Retainer
21	532156117	Spacer, Split 0.327 x 0.42 x 1.220
22	874770508	Bolt, Fin Hex 5/16-24 UNF x 1/2
23	532005015	Tire
	532127259	Rim
	532124718	Tire Valve
24	532126875	Rivet, Drilled
25	532124788	Clip, Hairpin
26	532167778	Guard, Belt
27	532132801	Belt, V
28	532104679	Pulley, Idler
29	812000032	Ring, Klip

KEY NO.	PART NO.	DESCRIPTION
30	532159229	Bracket, Idler
31	532102384	Bolt, Hex 5/16-16 x 12
32	532102141	Shaft, Idler Arm
33	874760616	Bolt, Hex 3/8-16 x 1
34	532102383	Counterweight, L. H.
35	874760524	Bolt, Hex 5/16-18 x 1-1/2
36	532102331	Bracket, Reinforcement, L. H.
37	532130812	Sheave, Engine
38	874760544	Bolt, Fin Hex 5/16-18 x 2-3/4
39	532140062	Cap, Plunger Blk
40	<b>532170488</b>	Screw, Hex Wsh Slt #10-24 x .50
43	532069180	Nut, Lock #10-24
44	873800500	Nut, Lock w/Insert 5/16-18 UNC

**NOTE:** All component dimensions given in U.S. inches.  
1 inch = 25.4 mm

# REPAIR PARTS

TILLER - MODEL NO. 511 (PRT5N), PRODUCT NO. 954 00 13-81  
 MAINFRAME, RIGHT SIDE



KEY NO.	PART NO.	DESCRIPTION
5	532102332	Bracket, Reinforcement
7	532102173	Counter Weight, R.H.
8	810040600	Washer, Lock 3/8
9	873220600	Nut, Hex 3/8-16
10	874760524	Bolt, Hex 5/16-18 x 1-1/2
11	532124788	Clip, Hairpin
12	532126875	Rivet, Drilled

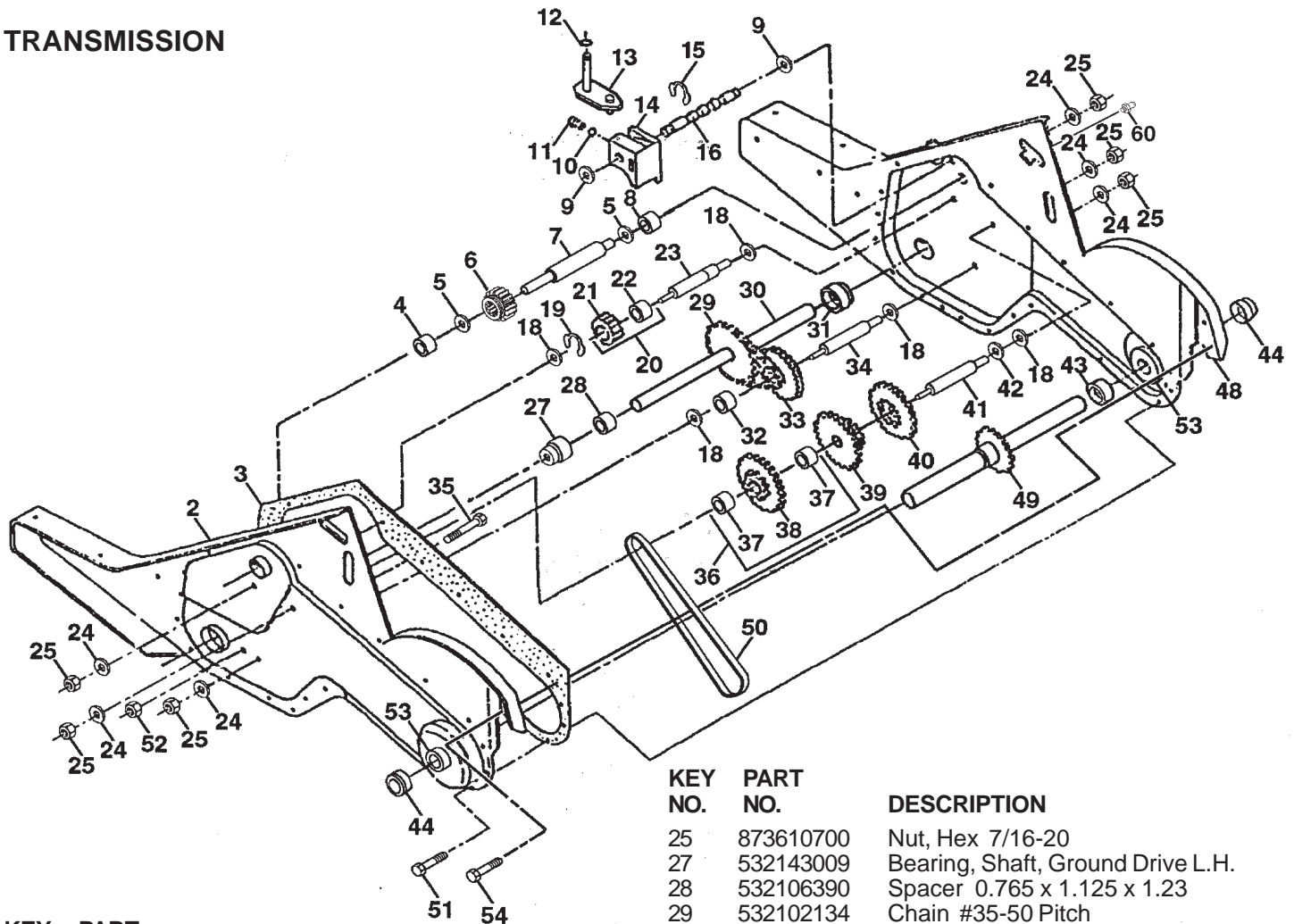
KEY NO.	PART NO.	DESCRIPTION
13	532005015	Tire
	532127259	Rim
	532124718	Tire Valve
14	873510500	Nut, Keps 5/16-18
15	-----	Engine, Briggs & Stratton Model No. 137202-1127-E1

**NOTE:** All component dimensions given in U.S.inches.  
 1 inch = 25.4 mm

# REPAIR PARTS

TILLER - MODEL NO. 511 (PRT5N), PRODUCT NO. 954 00 13-81

## TRANSMISSION



KEY NO.	PART NO.	DESCRIPTION
1	<b>532170337</b>	Transmission Assembly (Includes Key Nos. 2-52)
2	532165729	Gearcase, L.H. w/Bearing (Includes Key No. 4)
3	532161963	Gasket, Gearcase
4	532005020	Bearing, Needle
5	532001370	Washer, Thrust 5/8 x 1.10 x 1/32
6	532137335	Pinion, Input
7	532145101	Shaft, Input
8	532124792	Bearing, Needle
9	532154467	Washer, Seal
10	532124697	Ball, Steel
11	532100371	Spring, Shift, Fork
12	532106160	O-Ring
13	532142145	Arm, Shift
14	532008353	Fork, Shift
15	812000039	Ring, Klip
16	532154466	Shaft, Shift
18	532004358	Washer
19	812000040	Ring, Klip
20	532102114	Gear, Assembly, Reverse Idler (Includes Key Nos. 21 and 22)
21	532102115	Gear, Reverse Idler
22	532006803	Bearing, Needle
23	532102111	Shaft, Reverse Idler
24	810040700	Washer, Lock 7/16

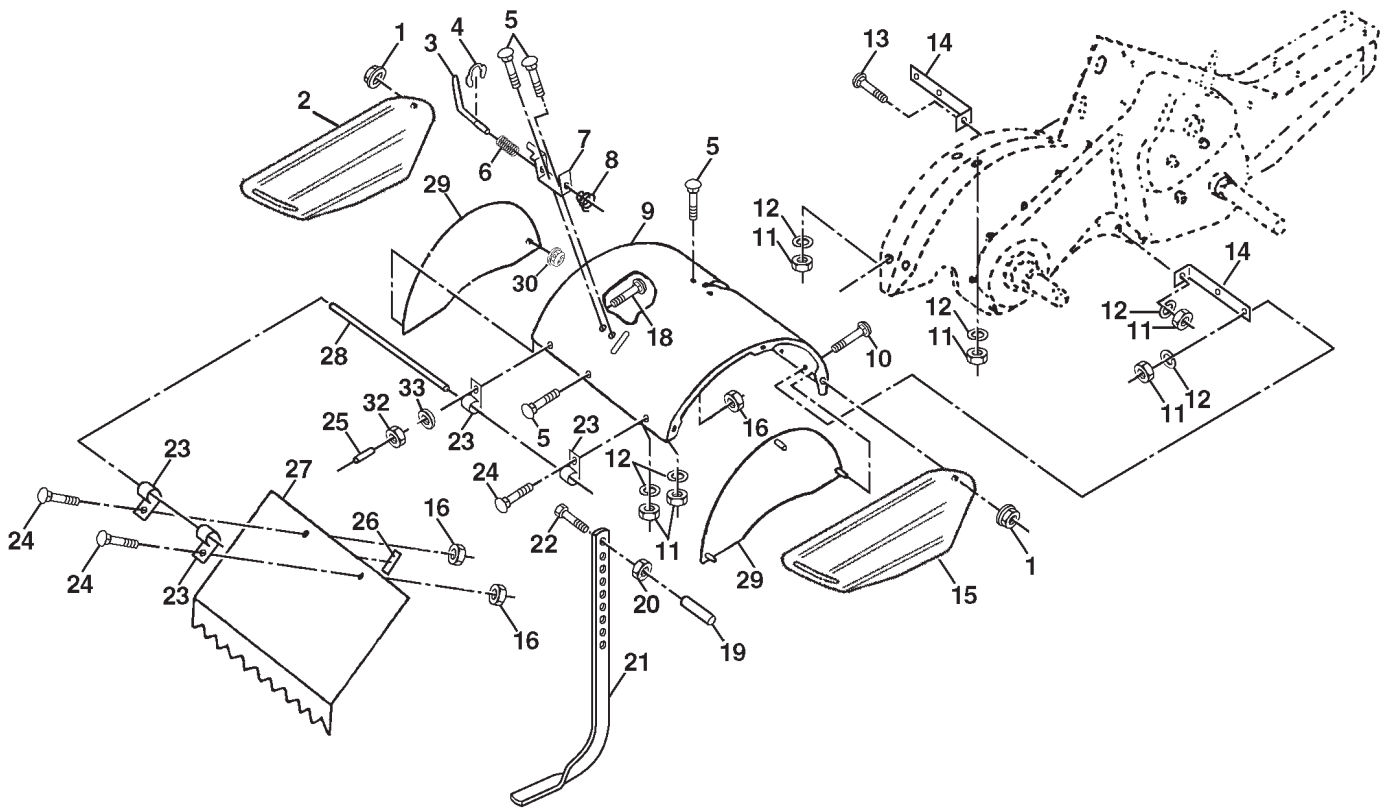
KEY NO.	PART NO.	DESCRIPTION
25	873610700	Nut, Hex 7/16-20
27	532143009	Bearing, Shaft, Ground Drive L.H.
28	532106390	Spacer 0.765 x 1.125 x 1.23
29	532102134	Chain #35-50 Pitch
30	532150737	Ground Shaft Assembly
31	532143008	Bearing, Shaft, Ground Drive R.H.
32	532106388	Spacer 0.70 x 1.00 x 1.150
33	532102121	Sprocket and Gear Assembly
34	532102112	Shaft, Reduction (2nd)
35	532102101	Screw, Whiz, Lock 5/16-18 x 3-1/2
36	532154355	Sprocket Assembly w/Bearing (Includes Key Nos. 37 and 38)
37	532124791	Bearing, Needle
38	532154356	Sprocket, Tine
39	532105345	Gear, Cluster, Red 1st & 2nd
40	532105346	Gear, Reverse
41	532008358	Shaft, Reduction (1st)
42	532004220	Washer, Thrust
43	532106146	Spacer 1.01 x 1.75 x 0.760
44	532155236	Seal Asm Oil
48	<b>532170338</b>	Gearcase, R.H. w/Bearing (Includes Key No. 8)
49	532132688	Shaft, Tine
50	532106147	Chain, Roller #50-50 Pitch
51	817720408	Screw 1/4-20 x 1/2
52	873220500	Nut, Hex 5/16-18
53	532165140	Kit, Bearing
54	817720412	Screw Thd Cut 1/4-20 x 3/4
60	<b>532124836</b>	Fitting Grease
--	532006066	Grease, Plastilube #1

**NOTE:** All component dimensions given in U.S. inches.  
1 inch = 25.4 mm

# REPAIR PARTS

TILLER - MODEL NO. 511 (PRT5N), PRODUCT NO. 954 00 13-81

## TINE SHIELD



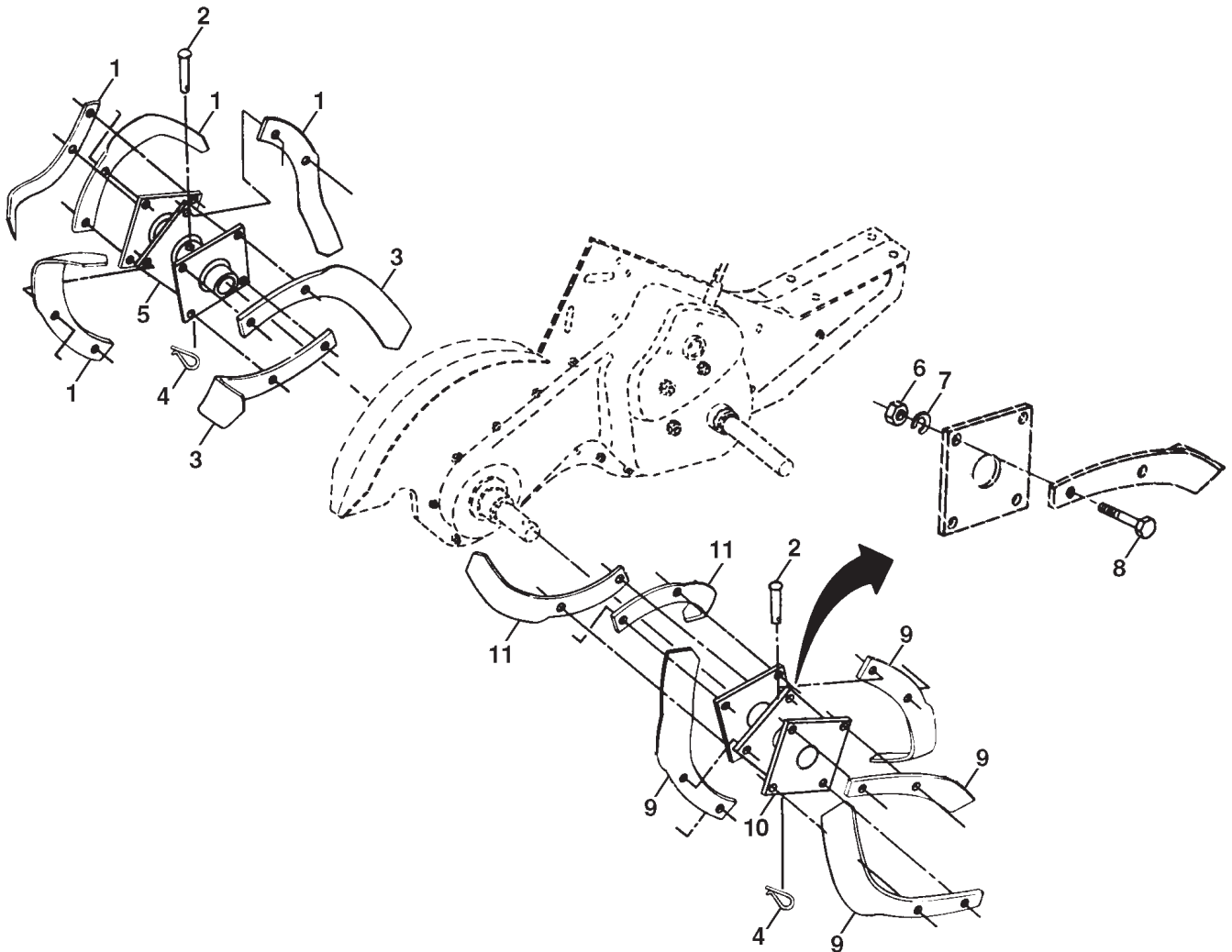
KEY NO.	PART NO.	DESCRIPTION
1	873900400	Nut, Flange 5/16-18
2	532161415	Shield, Side, Outer L. H.
3	532008393	Pin, Stake, Depth
4	812000036	Ring, Klip
5	872140506	Bolt, Carriage 5/16-18 x 3/4 Gr. 5
6	532008394	Spring
7	532008392	Bracket, Latch
8	532109230	Spring, Depth Stake
9	532124736	Shield, Tine
10	872140508	Bolt, Carriage 5/16-18 UNC x 1
11	873220500	Nut, Hex 5/16-18
12	810040500	Washer, Lock 5/16
13	872110510	Bolt, Carriage 5/16-18 x 1-1/4
14	532124311	Bracket, Shield Tine
15	532161414	Shield, Side, Outer R.H.
16	873900500	Nut, Lock Hex Flange

KEY NO.	PART NO.	DESCRIPTION
18	872040410	Bolt, Carriage 1/4-20 x 1-1/4 Gr. 5
19	532102701	Grip
20	873220600	Nut, Hex 3/8-16
21	532102156	Stake, Depth
22	874930632	Bolt, Hex 3/8-16 x 2
23	532004440	Hinge
24	872140404	Bolt, Carriage 1/4-20 x 1/2 Gr. 5
25	532124717	Cap, Vinyl
26	532109227	Pad, Idler
27	532124714	Shield, Leveling
28	532120588	Pin, Hinge
29	532124737	Shield, Side
30	873970500	Locknut, Flange 5/16-18

**NOTE:** All component dimensions given in U.S. inches.  
1 inch = 25.4 mm

# REPAIR PARTS

TILLER - MODEL NO. 511 (PRT5N), PRODUCT NO. 954 00 13-81  
TINE ASSEMBLY



KEY NO.	PART NO.	DESCRIPTION
1	532004459	Tine, Outer, L.H.
2	532132673	Clevis Pin
3	532006554	Tine, Inner, L.H.
4	<b>532003146</b>	Retainer, Spring Zinc
5	532132727	Assembly, Hub and Plate, L.H.
6	873610600	Nut, Hex 3/8-24
7	810040600	Washer, Lock 3/8

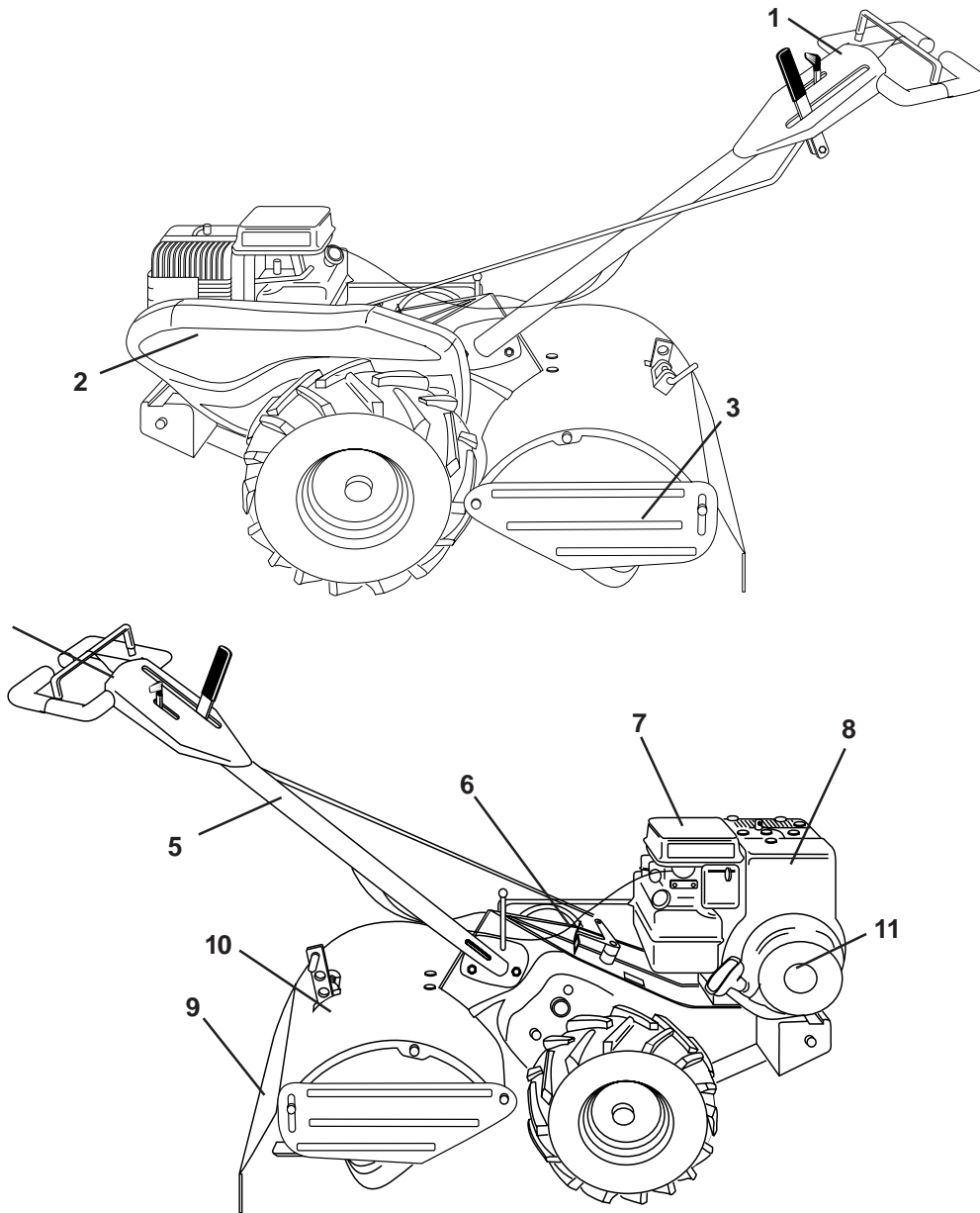
KEY NO.	PART NO.	DESCRIPTION
8	874610616	Bolt, Hex 3/8-24 x 1
9	532004460	Tine, Outer, R.H.
10	532132728	Assembly, Hub and Plate, R.H.
11	532006555	Tine, Inner, R.H.

**NOTE:** All component dimensions given in U.S. inches.  
1 inch = 25.4 mm

# REPAIR PARTS

TILLER - MODEL NO. 511 (PRT5N), PRODUCT NO. 954 00 13-81

## DECALS



KEY NO.	PART NO.	DESCRIPTION
1	532129029	Decal, Logo
2	532166720	Decal, Logo
3	532156660	Decal, Logo
4	532137282	Decal, Caution, Drive Control
5	532159877	Decal, Hand Placement
6	532102180	Decal, Shift Indicator
7	532110612	Decal, Caution Eng/Fr.
8	<b>532171803</b>	Decal, Engine, Briggs & Stratton
9	532156129	Decal, Warning, Rotating Tines
10	532145437	Decal, Europe, Stand CE
11	<b>532170870</b>	Decal, 5 HP
--	532166769	Manual, Operator's (European)
--	532166770	Manual, Operator's (Scandinavian)